

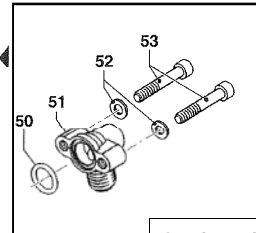
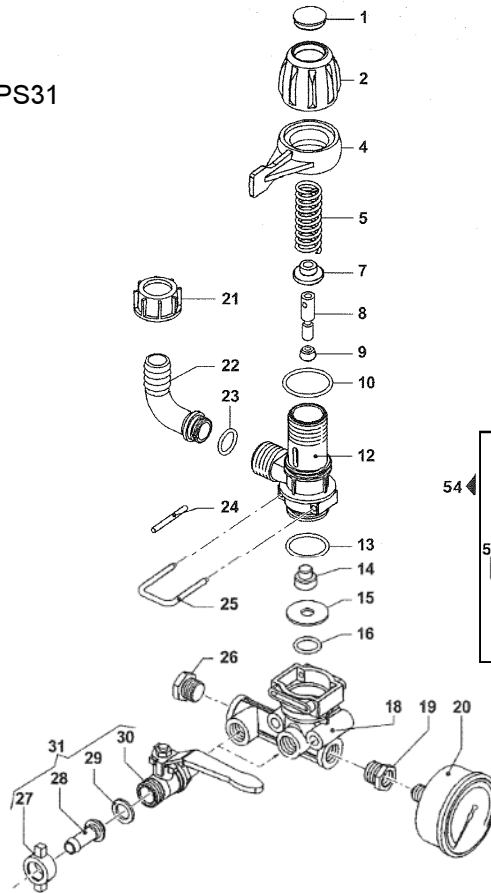


1204.0564.00

CONTROLS

Fits models APS31 and APS41

Comes with 3/8" barbs.  
Order #1204.0564.00.TT for 1/2" barbs.



Optional remote mount adapter (requires 2 for complete remote kit.)

#	PART #	DESCRIPTION	NOTE
1	3202.0256.00	PLUG	ORANGE
2	1223.0099.00	ADJUSTABLE NUT	
4	1600.0076.00	LEVER	
5	1802.0212.00	SPRING (WIRE 3,7)	e21,4x58
7	0009.0266.00	RING	
8	2426.0027.00	GUIDE	
9	1210.0072.00	VITON GASKET	6,2x10,1x3,2
10	1210.0461.00	O-RING	2x32
12	0424.0432.00	BODY	
13	1210.0079.00	O-RING	2,62x26,65
14	3600.0114.00	PLUNGER	
15	3009.0133.00	WASHER	
16	1210.0021.00	O-RING	2,62x15,54
18	0424.0369.00	BODY	
19	2825.0006.00	M/F REDUCTION	G3/8-G1/4
20	1816.0121.00	PRESSURE GAUGE	

#	PART #	DESCRIPTION	NOTE
21	1200.0059.00	WING NUT	G3/4
22	2801.0080.00	BYPASS HOSETAIL	13xG3/4
23	1210.0036.00	O-RING	2,62x13,10
24	3005.0027.00	PIN	4x40
25	1202.0051.00	HOOK	
26	3200.0007.00	PLUG	3/8 GAS
27	1200.0038.00	WING NUT	1/2" GAS
28	2802.0018.00	DELIVERY HOSE TAIL	8x10
29	1209.0013.00	GASKET	12x18x2
30	2826.0030.00	TAP	3/8-1/2 GAS
31	1214.0015.00	COMPLETE TAP	
50	1210.0447.00	O-RING	3x19
51	2803.0468.00	DELIVERY HOSE TAIL	G3/4
52	2811.0004.00	WASHER	8,4x14x1,6
53	3609.0165.00	SCREW	M8x35
54	2803.0474.00	ON PUMP HOSE TAIL KIT	G3/4

PRICES SUBJECT TO CHANGE WITHOUT NOTICE.